

SRK71ZR-S

**Wall mounted - Indoor Unit**

Wall mounted RAC indoor unit with a cooling capacity of 7.1 kW.



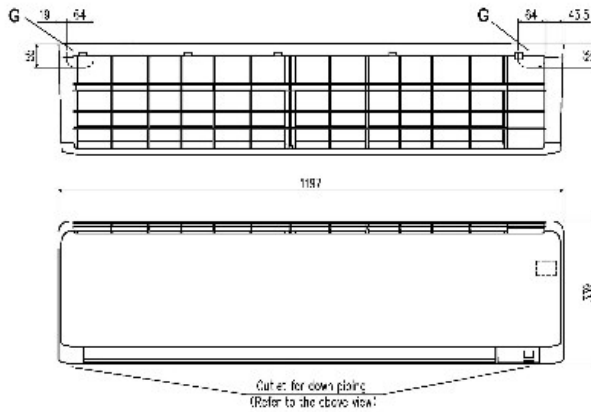
## Technical Specifications

---

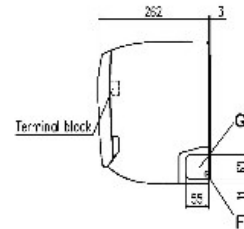
### General Data

Nominal cooling capacity (min-max)	kW	7.1 (2.3 - 7.7)
Nominal heating capacity (min-max)	kW	8.0 (2.0 - 10.0)
Exterior Dimensions ( H x W x D)	mm	339 x 1197 x 262
Net Weight	kg	15.5
Air Flow Cooling (Hi/Me/Lo)	m <sup>3</sup> /min	20.5 / 18.6 / 16.2 / 10.4
Air Flow Heating (Hi/Me/Lo)	m <sup>3</sup> /min	25.5 / 19.8 / 17.3 / 13.3
Sound Pressure Level Cooling (Hi/Me/Lo)	dB(A)	44 / 41 / 37 / 25
Sound Pressure Level Heating (Hi/Me/Lo)	dB(A)	46 / 39 / 35 / 28

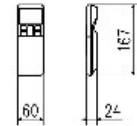
Schematics



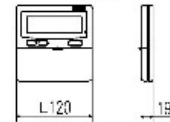
Symbol	Content		
A	Gas piping	SRK 63	Ø12.7 (1/2") (1 core)
		SRK 24,71,80,92,100	Ø15.88 (5/8") (1 core)
B	Liquid piping	SRK 24,63,71,80	Ø6.35 (1/4") (1 core)
		SRK 92,100	Ø9.52 (3/8") (1 core)
C	Hole on wall for right rear piping	: Ø65	
D	Hole on wall for left rear piping	: Ø65	
E	Drain hose	: VP 6	
F	Outlet for wiring (on both side)		
G	Outlet for piping (on both side)		



Wireless remote controller

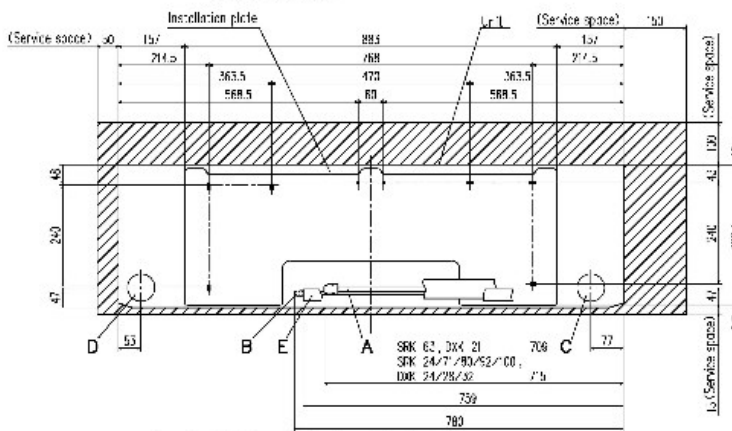


Wired remote controller (Option)



Note (1) The model name label is attached on the underside of the indoor unit.

Unit: mm



Space for installation and service when viewing from the front

SRC71ZR-S

**Wall mounted - Outdoor Unit**

RAC outdoor unit with a nominal cooling capacity of 7.1 kW.



**Technical Specifications**

**General Data**

Nominal cooling capacity (min-max)	kW	7.1 (2.3 - 7.7)
Nominal heating capacity (min-max)	kW	8.0 (2.0 - 10.0)
EER (Energy Label)		3.46
COP (Energy Label)		3.88
Exterior Dimensions (H x W x D)	mm	750 x 880(+88) x 340
Net Weight	kg	57
Sound Pressure Level (Cooling/Heating)	dB(A)	53 / 51
Energy class (cooling/heating)		A++/A+
SEER "Average climate" (Energy label)		7.2
SCOP "Average climate" (Energy label)		4.50

**Electrical Data**

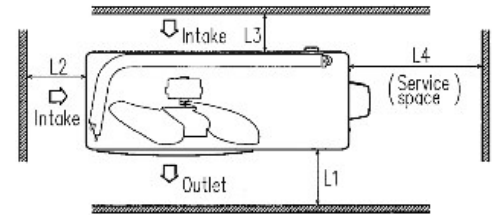
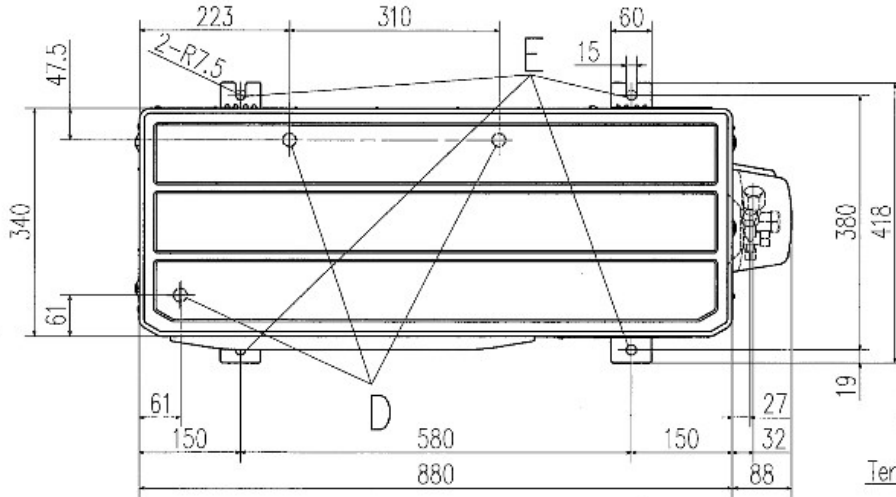
Pdesignc	kW	7.1
Pdesignh (@-10°C)	kW	6.60
Annual electricity consumption (cooling/heating)	kWh/a	346/2055
Power Source		1Phase, 220 - 240V, 50Hz
Inrush current (220/230/240v)	A	9.6 / 9.1 / 8.8
Max. running current	A	17
Power consumption (cooling/heating)	kW	2.05 / 2.06

**Installation**

Refrigerant (GWP)		R410A (2088)
Designated heating season		Average
Ref. Piping Size (Liquid/Gas)	Ø mm	6.35 (1/4") / 15.88 (5/8")
Ref. Max Piping Length	m	Max. 30
Vertical Height differences / Outdoor is higher/lower	m	Max. 20 / Max. 20

Schematics

Symbol	Content	
A	Service valve connection (gas side)	φ15.88 (5/8") (Flare)
B	Service valve connection (liquid side)	φ6.35 (1/4") (Flare)
C	Pipe/cable draw-out hole	
D	Drain discharge hole	φ20 x 3 places
E	Anchor bolt hole	M10 x 4 places



Minimum installation space

Examples of Installation	
Dimensions	
L1	600
L2	100
L3	100
L4	OPEN

