

SRK50ZMX-S

Wall mounted - Indoor Unit

Wall mounted RAC indoor unit with a nominal cooling capacity of 5.0 kW.

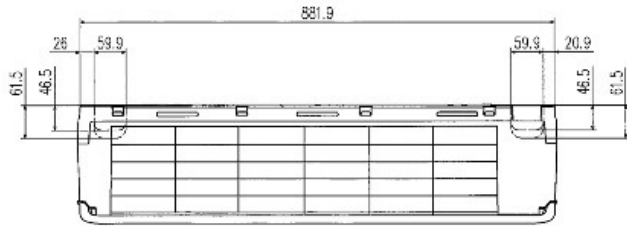


Technical Specifications

General Data

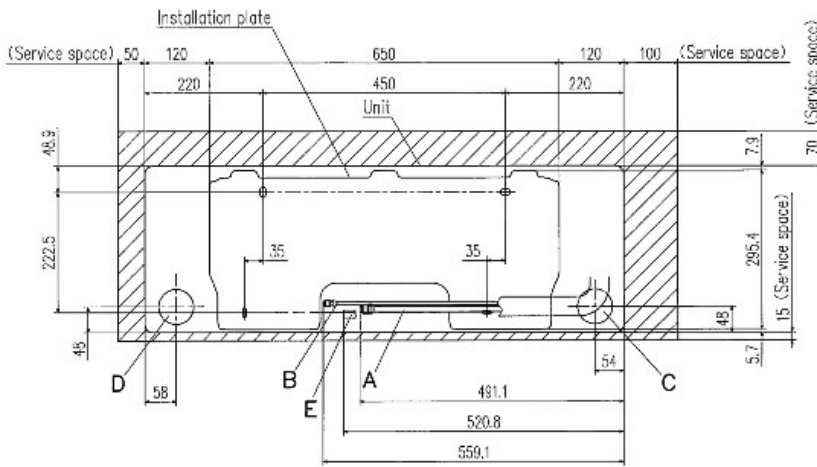
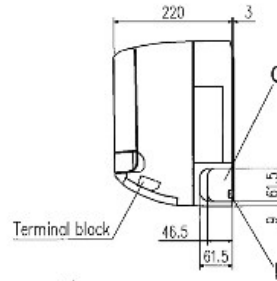
Nominal cooling capacity (min-max)	kW	5.0 (1.1~5.8)
Nominal heating capacity (min-max)	kW	6.0 (0.6~7.7)
Exterior Dimensions (H x W x D)	mm	309 x 890 x 220
Net Weight	kg	13.5
Air Flow Cooling (Hi/Me/Lo)	m3/min	13.5 / 11.0 / 8.0 / 7.0
Air Flow Heating (Hi/Me/Lo)	m3/min	17.0 / 14.5 / 10.5 / 8.0
Sound Pressure Level Cooling (Hi/Me/Lo)	dB(A)	47 / 40 / 27 / 25
Sound Pressure Level Heating (Hi/Me/Lo)	dB(A)	48 / 40 / 33 / 26

Schematics



Outlet for down piping
(Refer to the above view)

Symbol	Content	
A	Gas piping	Model 20,25,35 $\phi 9.52$ (3/8") (Flare) Model 50,60 $\phi 12.7$ (1/2") (Flare)
B	Liquid piping	$\phi 6.35$ (1/4") (Flare)
C	Hole on wall for right rear piping	($\phi 65$)
D	Hole on wall for left rear piping	($\phi 65$)
E	Drain nose	VP16
F	Outlet for wiring	
G	Outlet for piping (on both side)	



Space for installation and service when viewing from the front.

SRC50ZMX-S

Wall mounted - Outdoor Unit

RAC outdoor unit with a nominal capacity of 5.0 kW.

**Technical Specifications****General Data**

Nominal cooling capacity (min-max)	kW	5.0 (1.1~5.8)
Nominal heating capacity (min-max)	kW	6.0 (0.6~7.7)
EER (Energy Label)		3.85
COP (Energy Label)		4.41
Exterior Dimensions (H x W x D)	mm	640 x 800(+71) x 290
Net Weight	kg	45
Sound Pressure Level (Cooling/Heating)	dB(A)	54 / 50
Energy class (cooling/heating)		A++/A++
SEER "Average climate" (Energy label)		6.70
SCOP "Average climate" (Energy label)		4.6

Electrical Data

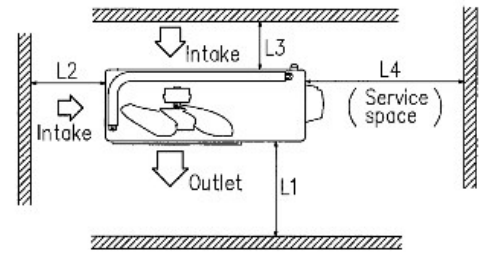
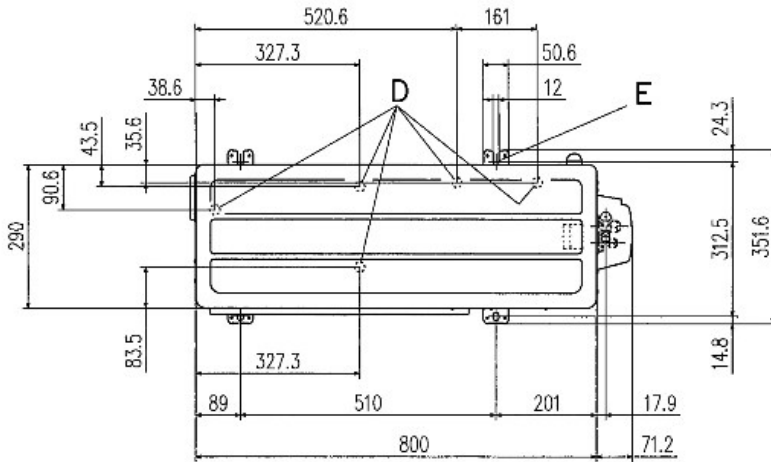
Pdesignc	kW	5
Pdesignh (@-10°C)	kW	5.3
Annual electricity consumption (cooling/heating)	kWh/a	262/1614
Power Source		1Phase, 220 - 240V, 50Hz
Inrush current (220/230/240v)	A	6.2 / 6.0 / 5.7
Max. running current	A	15
Power consumption (cooling/heating)	kW	1.30 / 1.36

Installation

Refrigerant (GWP)		R410A (2088)
Designated heating season		Average
Ref. Piping Size (Liquid/Gas)	Ø mm	6.35 (1/4") / 12.7 (1/2")
Ref. Max Piping Length	m	Max. 30
Vertical Height differences / Outdoor is higher/lower	m	Max.20 / Max.20

Schematics

Symbol	Content	
A	Service valve connection (gas side)	φ12.7 (1/2") (Flare)
B	Service valve connection (liquid side)	φ6.35 (1/4") (Flare)
C	Pipe/cable draw-out hole	
D	Drain discharge hole	φ20x5places
E	Anchor bolt hole	M10x4places



Minimum installation space

Dimensions	Examples of installation			
	I	II	III	IV
L1	Open	280	280	180
L2	100	75	Open	Open
L3	100	80	80	80
L4	250	Open	250	Open

