

SRK45ZMP-S

Wall mounted - Indoor Unit

Wall-mounted RAC indoor unit with a nominal cooling capacity of 4.5 kW.

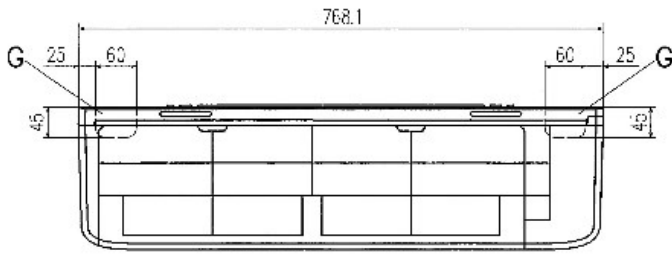


Technical Specifications

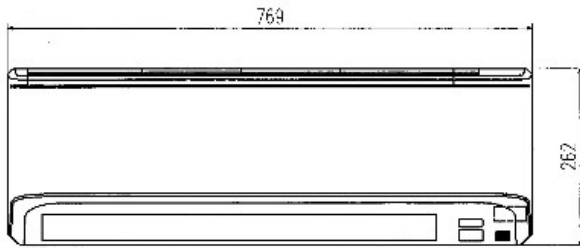
General Data

Nominal cooling capacity (min-max)	kW	4.5 (0.9 - 4.8)
Nominal heating capacity (min-max)	kW	5.0 (0.8 - 5.8)
Exterior Dimensions (H x W x D)	mm	262 x 769 x 210
Net Weight	kg	7.6
Air Flow Cooling (Hi/Me/Lo)	m3/min	9.0 / 7.2 / 3.8
Air Flow Heating (Hi/Me/Lo)	m3/min	12.0 / 9.2 / 6.2
Sound Pressure Level Cooling (Hi/Me/Lo)	dB(A)	46 / 40 / 25
Sound Pressure Level Heating (Hi/Me/Lo)	dB(A)	48 / 43 / 32

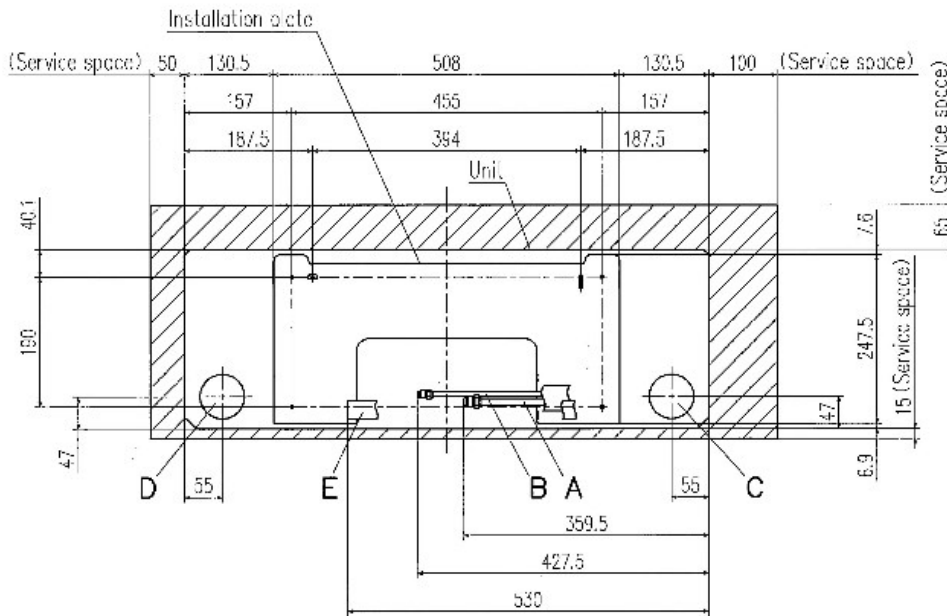
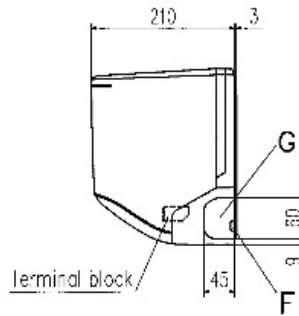
Schematics



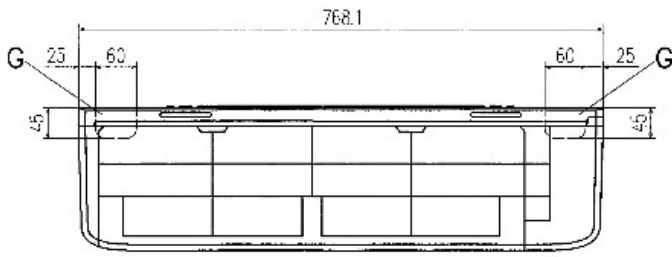
Symbol	Content	
A	Gas piping	Mode 25,3a $\phi 9.52 (3/8")$ (Flare) Mode 45 $\phi 12.7 (1/2")$ (Flare)
B	Liquid piping	$\phi 6.35 (1/4")$ (Flare)
C	Hole on wall for right rear piping	($\phi 65$)
D	Hole on wall for left rear piping	($\phi 65$)
E	Drain hose	VP16
F	Outlet for wiring	
G	Outlet for piping (on both side)	



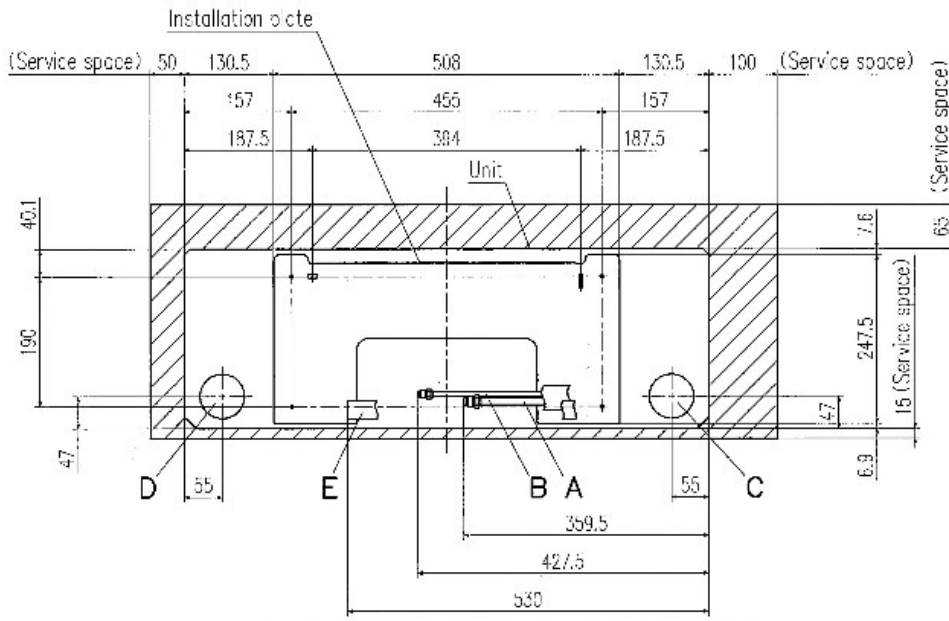
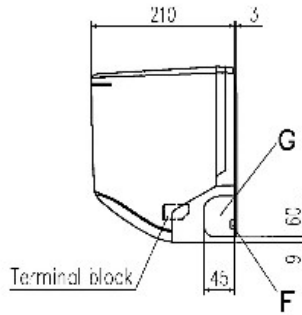
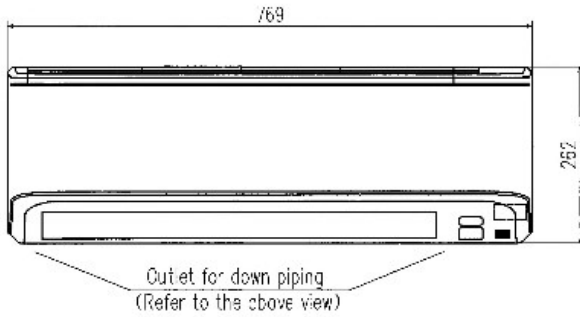
Outlet for down piping
(Refer to the above view)



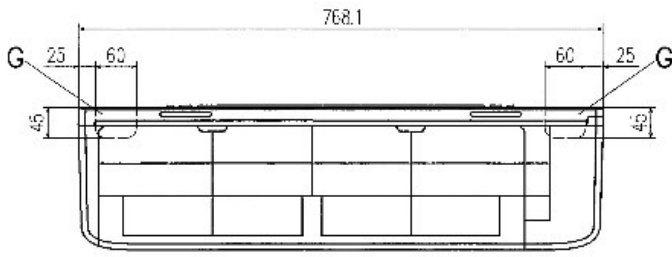
Space for installation and service when viewing from the front



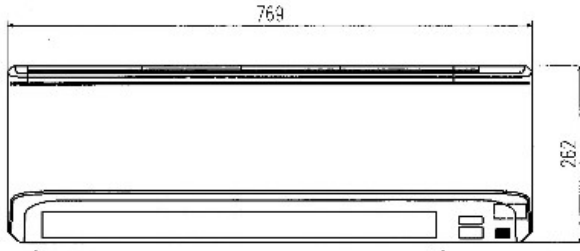
Symbol	Content	
A	Gas piping	Mode 25,3a $\phi 9.52$ (3/8") (Flare) Mode 45 $\phi 12.7$ (1/2") (Flare)
B	Liquid piping	$\phi 6.35$ (1/4") (Flare)
C	Hole on wall for right rear piping	($\phi 65$)
D	Hole on wall for left rear piping	($\phi 65$)
E	Drain hose	VP16
F	Outlet for wiring	
G	Outlet for piping (on both side)	



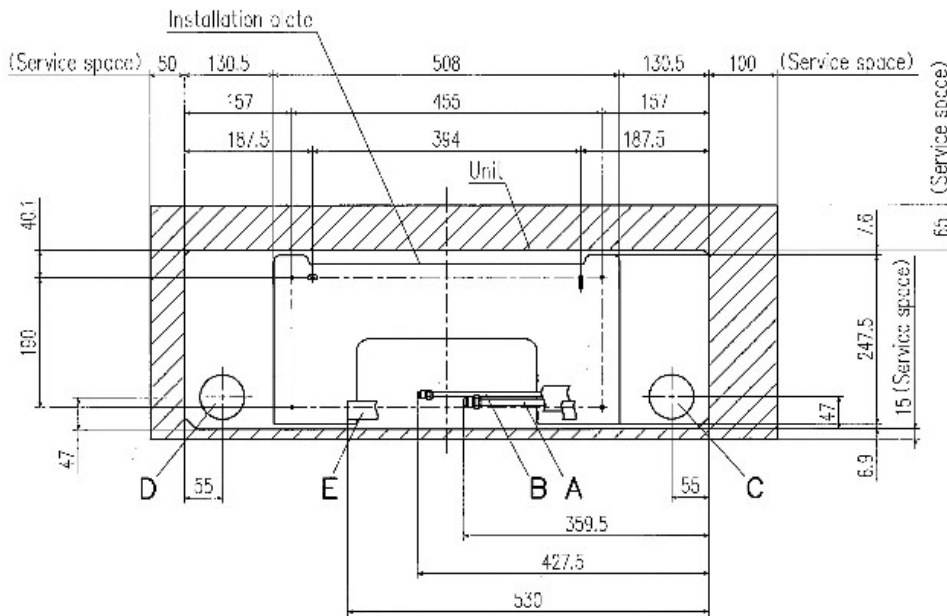
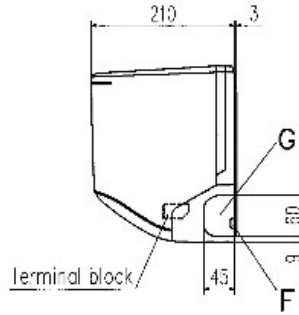
Space for installation and service when viewing from the front



Symbol	Content	
A	Gas piping	Mode 25,3a $\phi 9.52 (3/8")$ (Flare) Mode 45 $\phi 12.7 (1/2")$ (Flare)
B	Liquid piping	$\phi 6.35 (1/4")$ (Flare)
C	Hole on wall for right rear piping	($\phi 65$)
D	Hole on wall for left rear piping	($\phi 65$)
E	Drain hose	VP16
F	Outlet for wiring	
G	Outlet for piping (on both side)	



Outlet for down piping
(Refer to the above view)



Space for installation and service when viewing from the front

SRC45ZMP-S

Wall mounted - Outdoor Unit

RAC outdoor unit with a nominal cooling capacity of 4.5 kW.



Technical Specifications

General Data

Nominal cooling capacity (min-max)	kW	4.5 (0.9 - 4.8)
Nominal heating capacity (min-max)	kW	5.0 (0.8 - 5.8)
EER (Energy Label)		3.01
COP (Energy Label)		3.61
Exterior Dimensions (H x W x D)	mm	595 x 780(+62) x 290
Net Weight	kg	40
Sound Pressure Level (Cooling/Heating)	dB(A)	52 / 53
Energy class (cooling/heating)		A/A
SEER "Average climate"/(Energy label)		5.38
SCOP "Average climate"/(Energy label)		3.81

Electrical Data

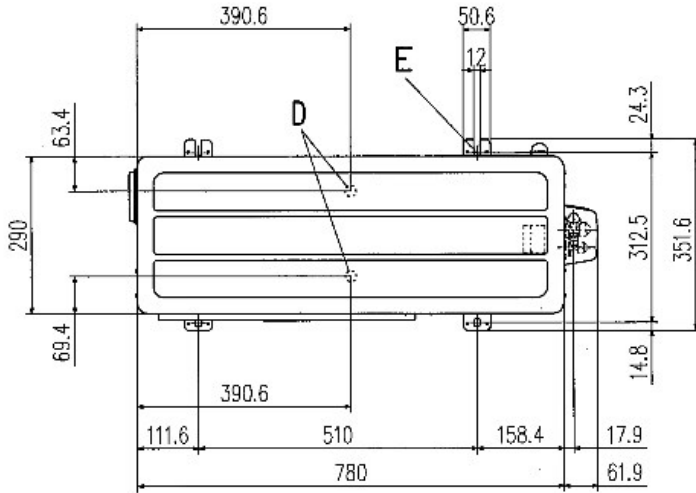
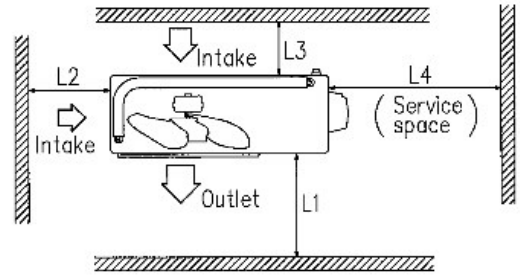
Pdesignc	kW	4.5
Pdesignh (@-10°C)	kW	3.8
Annual electricity consumption (cooling/heating)	kWh/a	293/1398
Power Source		1Phase, 220 - 240V, 50Hz
Inrush current (220/230/240v)	A	7.0 / 6.7 / 6.4
Max. running current	A	14
Power consumption (cooling/heating)	kW	1.495 / 1.385

Installation

Refrigerant (GWP)		R410A (2088)
Designated heating season		Average
Ref. Piping Size (Liquid/Gas)	Ø mm	6.35 (1/4") / 12.7 (1/2")
Ref. Max Piping Length	m	Max. 25
Vertical Height differences / Outdoor is higher/lower	m	Max. 15 / Max. 15

Schematics

Symbol	Content	20-25-35	50
A	Service valve connection (gas side)	φ9.52 (3/8") (Flare)	φ12.7 (1/2") (Flare)
B	Service valve connection (liquid side)	φ6.35 (1/4") (Flare)	φ6.35 (1/4") (Flare)
C	Pipe/cable draw-out hole		
D	Drain discharge hole	φ20×2places	φ20×2places
E	Anchor bolt hole	M10×4places	M10×4places



Minimum installation space

Dimensions	Examples of Installation			
	I	II	III	IV
L1	Open	280	280	180
L2	100	75	Open	Open
L3	100	80	80	80
L4	250	Open	250	Open

