

SRF50ZMX-S

Floor standing - Indoor Unit

Floor standing RAC indoor unit with a nominal cooling capacity of 5.0 kW.

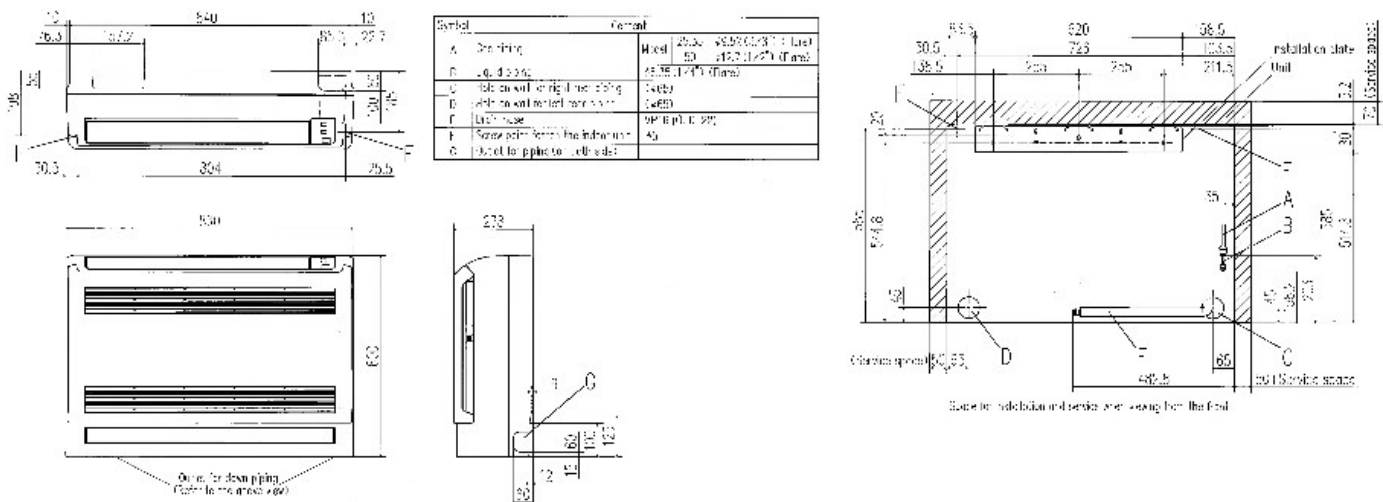


Technical Specifications

General Data

Nominal cooling capacity (min-max)	kW	5.0 (1.1 - 5.2)
Nominal heating capacity (min-max)	kW	6.0 (0.6 - 6.9)
Exterior Dimensions (H x W x D)	mm	600 x 860 x 238
Net Weight	kg	19
Air Flow Cooling (Hi/Me/Lo)	m3/min	11.5 / 9.6 / 7.4 / 6.6
Air Flow Heating (Hi/Me/Lo)	m3/min	12.0 / 10.0 / 9.4 / 7.6
Sound Pressure Level Cooling (Hi/Me/Lo)	dB(A)	46 / 42 / 35 / 32
Sound Pressure Level Heating (Hi/Me/Lo)	dB(A)	47 / 41 / 39 / 33

Schematics



SRC50ZMX-S

Floor standing - Outdoor Unit

RAC outdoor unit with a nominal cooling capacity of 5.0 kW.

**Technical Specifications****General Data**

Nominal cooling capacity (min-max)	kW	5.0 (1.1 - 5.2)
Nominal heating capacity (min-max)	kW	6.0 (0.6 - 6.9)
EER (Energy Label)		3.60
COP (Energy Label)		3.90
Exterior Dimensions (H x W x D)	mm	640 x 800(+71) x 290
Net Weight	kg	38
Sound Pressure Level (Cooling/Heating)	dB(A)	52 / 51
Energy class (cooling/heating)		A+/A+
SEER "Average climate"/(Energy label)		6.01
SCOP "Average climate"/(Energy label)		4.19

Electrical Data

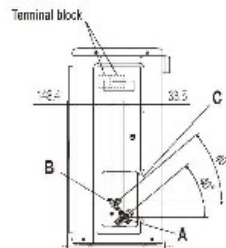
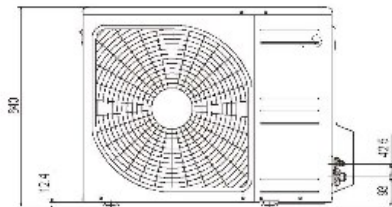
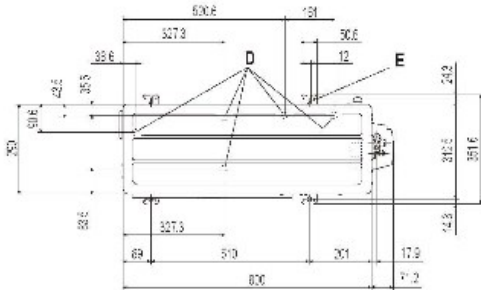
Pdesignc	kW	5.00
Pdesignh (@-10°C)	kW	5.20
Annual electricity consumption (cooling/heating)	kWh/a	292/1736
Power Source		1Phase, 220 - 240V, 50Hz
Inrush current (220/230/240v)	A	7.1 / 6.8 / 6.5
Max. running current	A	15
Power consumption (cooling/heating)	kW	1.390 / 1.540

Installation

Refrigerant (GWP)		R410A (2088)
Designated heating season		Average
Ref. Piping Size (Liquid/Gas)	Ø mm	6.35 (1/4") / 12.7 (1/2")
Ref. Max Piping Length	m	Max. 30
Vertical Height differences / Outdoor is higher/lower	m	Max. 20 / Max. 20

Schematics

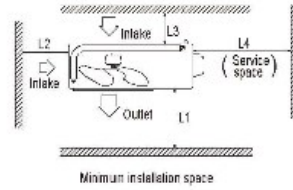
Symbol	Content
A	Service valve connection (gas side) $\phi 12.7$ (1/2") (Flare)
B	Service valve connection (liquid side) $\phi 6.35$ (1/4") (Flare)
C	Pipe/cable draw-out hole
D	Drain discharge hole $\phi 20 \times 5$ places
E	Anchor bolt hole M10 $\times 4$ places



Notes

- (1) It must not be surrounded by walls on the four sides.
- (2) The unit must be fixed with anchor bolts. An anchor bolt must not protrude more than 15mm.
- (3) Where the unit is subject to strong winds, lay it in such a direction that the blower outlet faces perpendicularly to the dominant wind direction.
- (4) Leave 1m or more space above the unit.
- (5) A wall in front of the blower outlet must not exceed the unit's height.
- (6) The model name label is attached on the right side of the unit.

Model SRC50ZMX-S



Service/Installation Dimensions	I	II	III	IV
L1	Open	260	260	180
L2	100	75	Open	Open
L3	100	80	80	80
L4	260	Open	260	Open

Unit:mm