

FDE60VG

**Ceiling Suspended - Indoor Unit**

Ceiling suspended PAC indoor unit with a nominal cooling capacity of 6.0 kW.

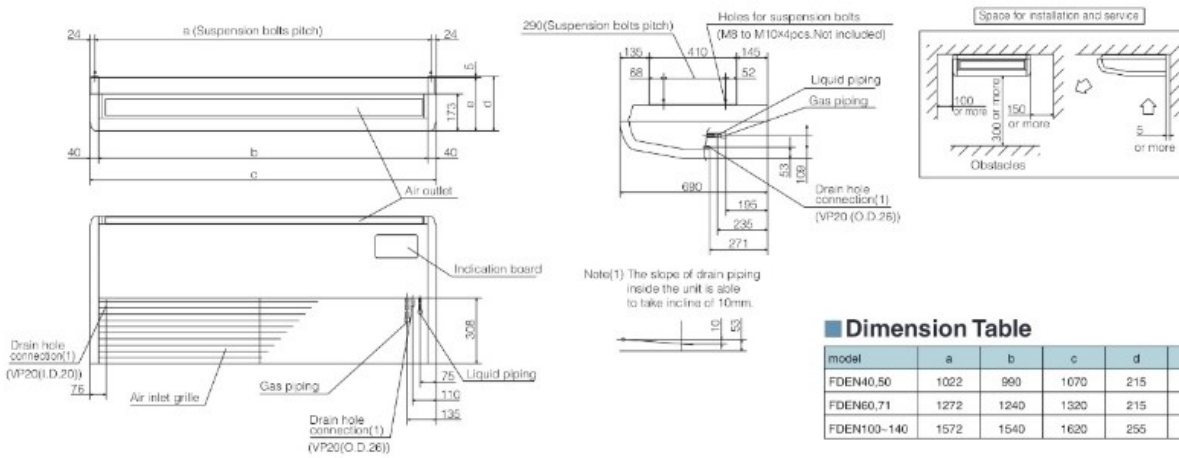


**Technical Specifications**

**General Data**

|   |        |                  |
|---|--------|------------------|
| Nominal cooling capacity (min-max)      | kW     | 5.6 (1.1 - 6.3)  |
| Nominal heating capacity (min-max)      | kW     | 6.7 (0.6 - 7.1)  |
| Exterior Dimensions ( H x W x D)        | mm     | 210 x 1320 x 690 |
| Net Weight                              | kg     | 33               |
| Air Flow Cooling (Hi/Me/Lo)             | m3/min | 20/ 16 / 13/ 10  |
| Air Flow Heating (Hi/Me/Lo)             | m3/min | 20/ 16 / 13/ 10  |
| Sound Pressure Level Cooling (Hi/Me/Lo) | dB(A)  | 47/ 41 / 37 / 32 |
| Sound Pressure Level Heating (Hi/Me/Lo) | dB(A)  | 47/ 41 / 37 / 32 |

**Schematics**



SRC60ZMX-S

**Ceiling Suspended - Outdoor Unit**

PAC outdoor unit with a nominal cooling capacity of 6.0 kW.



**Technical Specifications**

**General Data**

|  |       |                       |
|--|-------|-----------------------|
| Nominal cooling capacity (min-max)     | kW    | 5.6 (1.1 - 6.3)       |
| Nominal heating capacity (min-max)     | kW    | 6.7 (0.6 - 7.1)       |
| EER (Energy Label)                     |       | 3.20                  |
| COP (Energy Label)                     |       | 3.60                  |
| Exterior Dimensions (H x W x D)        | mm    | 640 x 800 (+71) x 290 |
| Net Weight                             | kg    | 45                    |
| Sound Pressure Level (Cooling/Heating) | dB(A) | 54 / 54               |
| Energy class (cooling/heating)         |       | A++/A                 |
| SEER "Average climate"/(Energy label)  |       | 6.72                  |
| SCOP "Average climate"/(Energy label)  |       | 4.08                  |

**Electrical Data**

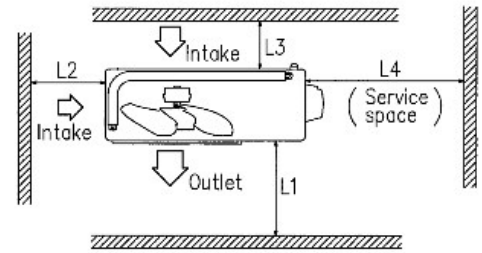
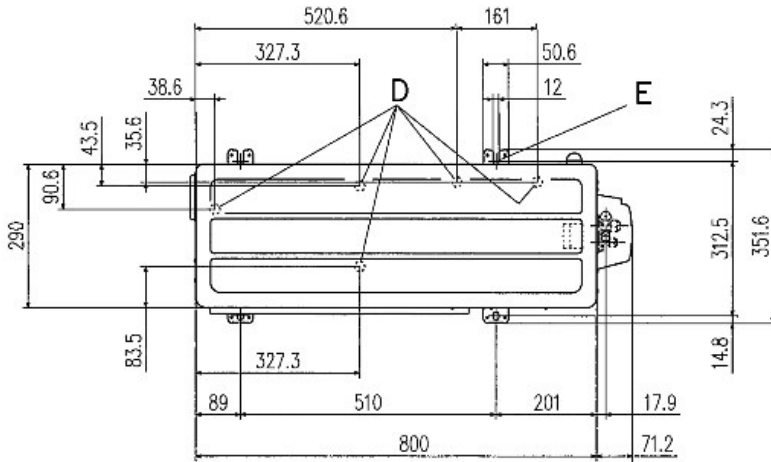
|  |       |  |
|--|-------|--|
| Pdesignc   | kW    | 5.6                                      |
| Pdesignh (@-10°C)                                | kW    | 4.3                                      |
| Annual electricity consumption (cooling/heating) | kWh/a | 292/1475                                 |
| Power Source                                     |       | 1 Phase 220-240V 50Hz, 1 Phase 220V 60Hz |
| Inrush current (220/230/240v)                    | A     | 5  |
| Max. running current                             | A     | 15                                       |
| Power consumption (cooling/heating)              | kW    | 1.75 / 1.86                              |

**Installation**

|   |      |                           |
|---|------|---------------------------|
| Refrigerant (GWP)                                     |      | R410A (2088)              |
| Designated heating season                             |      | Average                   |
| Ref. Piping Size (Liquid/Gas)                         | Ø mm | 6.35 (1/4") / 12.7 (1/2") |
| Ref. Max Piping Length                                | m    | Max. 30                   |
| Vertical Height differences / Outdoor is higher/lower | m    | Max. 20 / Max. 20         |

Schematics

| Symbol | Content                                |                      |
|--------|--|----------------------|
| A      | Service valve connection (gas side)    | φ12.7 (1/2") (Flare) |
| B      | Service valve connection (liquid side) | φ6.35 (1/4") (Flare) |
| C      | Pipe/cable draw-out hole               |                      |
| D      | Drain discharge hole                   | φ20x5places          |
| E      | Anchor bolt hole                       | M10x4places          |



Minimum installation space

| Dimensions | Examples of installation |      |      |      |
|------------|--------------------------|------|------|------|
|            | I                        | II   | III  | IV   |
| L1         | Open                     | 280  | 280  | 180  |
| L2         | 100                      | 75   | Open | Open |
| L3         | 100                      | 80   | 80   | 80   |
| L4         | 250                      | Open | 250  | Open |

