

FDE140VG

Ceiling Suspended - Indoor Unit

Ceiling suspended PAC indoor unit with a nominal cooling capacity of 14.0 kW.



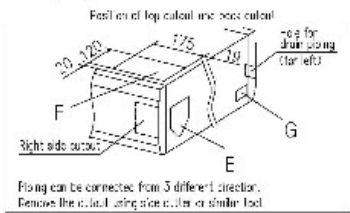
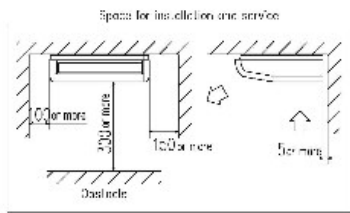
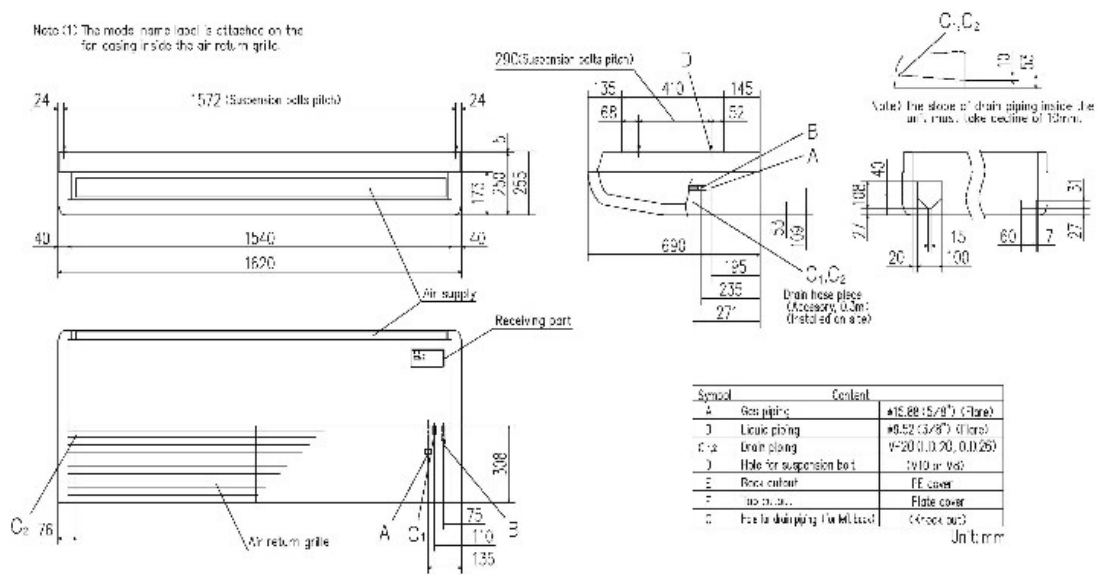
Technical Specifications

General Data

Nominal cooling capacity (min-max)	kW	14.0 (5.0 - 16.0)
Nominal heating capacity (min-max)	kW	16.0 (4.0 - 20.0)
Exterior Dimensions (H x W x D)	mm	250 x 1620 x 690
Net Weight	kg	43
Air Flow Cooling (Hi/Me/Lo)	m3/min	34 / 29 / 23 / 18
Air Flow Heating (Hi/Me/Lo)	m3/min	34 / 29 / 23 / 18
Sound Pressure Level Cooling (Hi/Me/Lo)	dB(A)	49 / 45 / 40 / 36
Sound Pressure Level Heating (Hi/Me/Lo)	dB(A)	49 / 45 / 40 / 36

Schematics

Note (1): The model name label is attached on the for casing inside the air return grille.



Make a space of 300's or more between the units when holding more than one.

FDC140VSX

Ceiling Suspended - Outdoor Unit

PAC outdoor unit with a nominal cooling capacity of 14.0 kW.



Technical Specifications

General Data

Nominal cooling capacity (min-max)	kW	14.0 (5.0 - 16.0)
Nominal heating capacity (min-max)	kW	16.0 (4.0 - 20.0)
EER (Energy Label)		3.18
COP (Energy Label)		3.41
Exterior Dimensions (H x W x D)	mm	1300 x 970 x 370
Net Weight	kg	105
Sound Pressure Level (Cooling/Heating)	dB(A)	49 / 52

Electrical Data

Power Source		3 Phase 380-415V, 50Hz, 3 Phase 380V 60Hz
Inrush current (220/230/240v)	A	5
Max. running current	A	15
Power consumption (cooling/heating)	kW	4.40 / 4.69

Installation

Refrigerant (GWP)		R410A (2088)
Designated heating season		Average
Ref. Piping Size (Liquid/Gas)	Ø mm	9.52(3/8") / 15.88(5/8")
Ref. Max Piping Length	m	Max. 100
Vertical Height differences / Outdoor is higher/lower	m	Max. 30 / Max. 15

Schematics

