

FDE125VG
Ceiling Suspended - Indoor Unit

Ceiling suspended PAC indoor unit with a nominal cooling capacity of 12.5 kW.

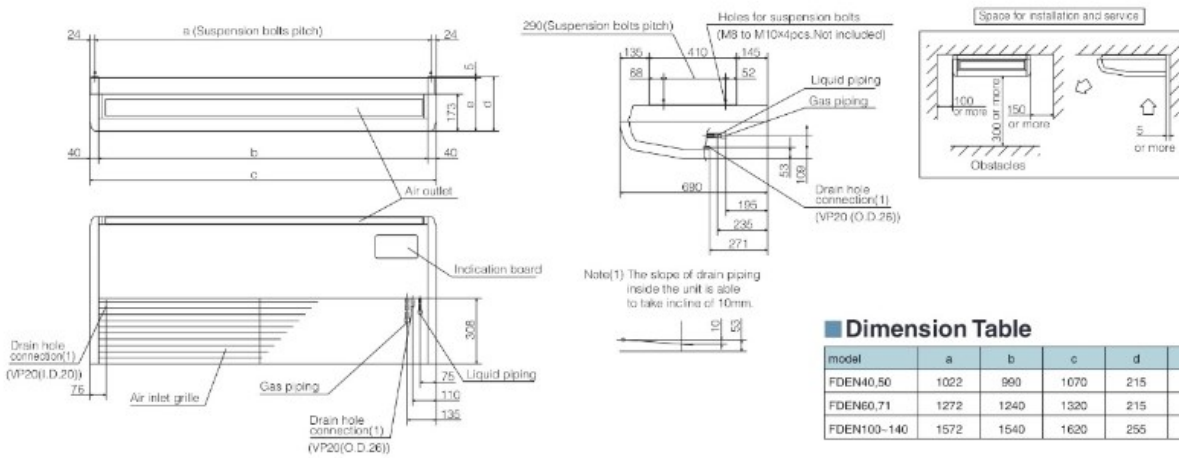


Technical Specifications

General Data

Nominal cooling capacity (min-max)	kW	12.5 (5.0 - 14.0)
Nominal heating capacity (min-max)	kW	14.0 (4.0 - 16.0)
Exterior Dimensions (H x W x D)	mm	250 x 1620 x 690
Net Weight	kg	43
Air Flow Cooling (Hi/Me/Lo)	m3/min	32 / 29 / 23 / 17
Air Flow Heating (Hi/Me/Lo)	m3/min	32 / 29 / 23 / 17
Sound Pressure Level Cooling (Hi/Me/Lo)	dB(A)	48 / 45 / 40 / 35
Sound Pressure Level Heating (Hi/Me/Lo)	dB(A)	48 / 45 / 40 / 35

Schematics



Dimension Table

model	a	b	c	d	e
FDEN40,50	1022	990	1070	215	210
FDEN60,71	1272	1240	1320	215	210
FDEN100-140	1572	1540	1620	255	250

FDC125VS

Ceiling Suspended - Outdoor Unit

PAC outdoor unit with a nominal cooling capacity of 12.5 kW.

**Technical Specifications****General Data**

Nominal cooling capacity (min-max)	kW	12.5 (5.0 - 14.0)
Nominal heating capacity (min-max)	kW	14.0 (4.0 - 16.0)
EER (Energy Label)		2.81
COP (Energy Label)		3.43
Exterior Dimensions (H x W x D)	mm	845 x 970 x 370
Net Weight	kg	83
Sound Pressure Level (Cooling/Heating)	dB(A)	50 / 51

Electrical Data

Power Source		3 Phase 380-415V 50Hz, 3 Phase 380V 60Hz
Inrush current (220/230/240v)	A	5
Max. running current	A	15
Power consumption (cooling/heating)	kW	4.45 / 4.08

Installation

Ref. Piping Size (Liquid/Gas)	Ø mm	9.52 (3/8") / 15.88 (5/8")
Ref. Max Piping Length	m	Max. 50
Vertical Height differences / Outdoor is higher/lower	m	Max. 30 / Max. 15

Schematics

