

FDTC50VF

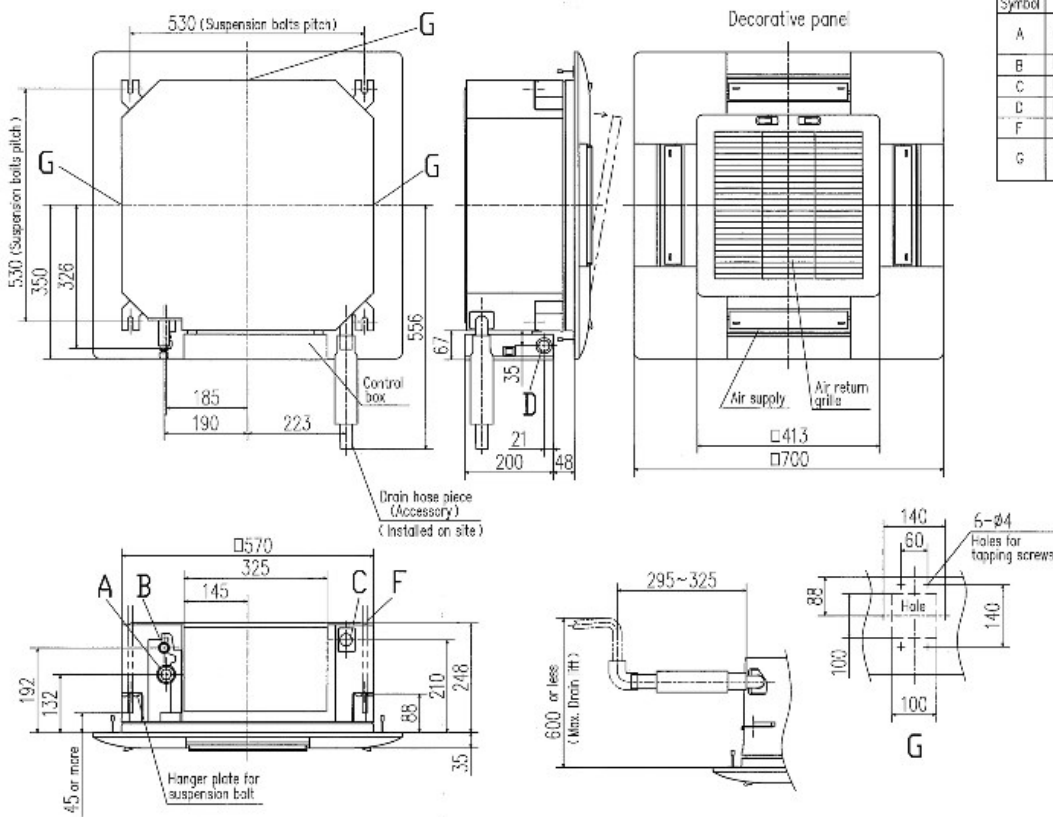
Ceiling cassette - Indoor Unit

Ceiling cassette RAC indoor unit with a nominal cooling capacity of 5.0 kW.

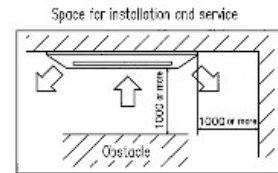
**Technical Specifications****General Data**

Nominal cooling capacity (min-max)	kW	5.0 (1.1 - 5.6)
Nominal heating capacity (min-max)	kW	5.4 (0.6 - 6.3)
Exterior Dimensions (H x W x D)	mm	Unit : 248 x 570 x 570 Panel : 35 x 700 x 700
Net Weight	kg	18.5 (Unit: 15 Panel: 3.5)
Air Flow Cooling (Hi/Me/Lo)	m3/min	13.5/ 11.5 / 9 / 7
Air Flow Heating (Hi/Me/Lo)	m3/min	13.5/ 11.5 / 9 / 8
Sound Pressure Level Cooling (Hi/Me/Lo)	dB(A)	47/ 42 / 36 / 30
Sound Pressure Level Heating (Hi/Me/Lo)	dB(A)	47/ 42 / 36 / 32

Schematics



Symbol	Content:	
A	Gas piping	Model 25,35 : $\phi 9.52$ (3/8") (Flare) 40-80 : $\phi 12.7$ (1/2") (Flare)
B	Liquid piping	$\phi 6.35$ (1/4") (Flare)
C	Drain piping	VP20 (I.D. 20, O.D. 26) Note (2)
D	Hole for wiring	$\phi 25$
F	Suspension bolts	(M10 or M8)
G	Air outlet opening for ducting	(Knock out)



Make a space of 400 or more between the units when installing more than one.

SRC50ZMX-S

Ceiling cassette - Outdoor Unit

RAC outdoor unit with a nominal cooling capacity of 5.0 kW.



Technical Specifications

General Data

Nominal cooling capacity (min-max)	kW	5.0 (1.1 ~ 5.6)
Nominal heating capacity (min-max)	kW	5.4 (0.6 ~ 6.3)
EER (Energy Label)		3.21
COP (Energy Label)		3.72
Exterior Dimensions (H x W x D)	mm	640 x 800(+71) x 290
Net Weight	kg	45
Sound Pressure Level (Cooling/Heating)	dB(A)	54 / 50
Energy class (cooling/heating)		A+/A
SEER "Average climate"/(Energy label)		5.99
SCOP "Average climate"/(Energy label)		3.85

Electrical Data

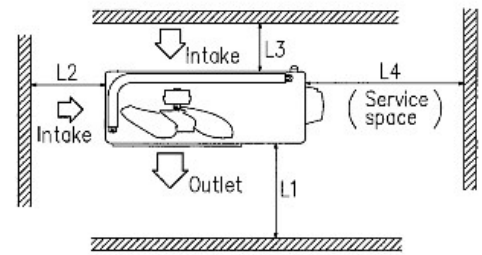
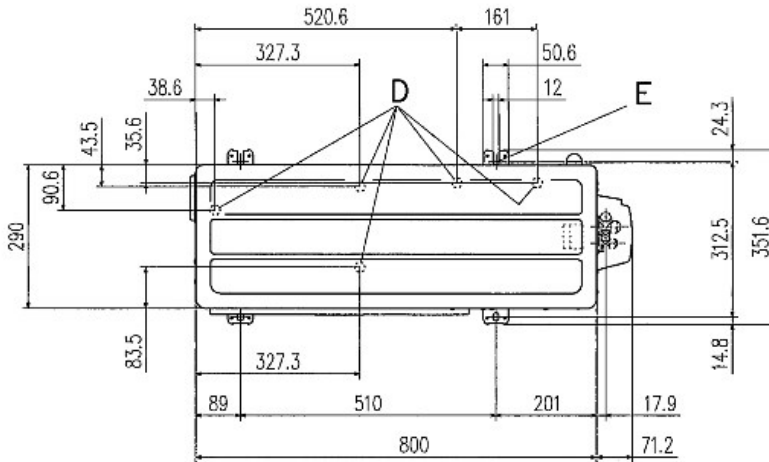
Pdesignc	kW	5
Pdesignh (@-10°C)	kW	4.80
Annual electricity consumption (cooling/heating)	kWh/a	293/1744
Power Source		1Phase, 220 - 240V, 50Hz
Inrush current (220/230/240v)	A	5
Max. running current	A	14
Power consumption (cooling/heating)	kW	1.56 / 1.45

Installation

Refrigerant (GWP)		R410A (2088)
Designated heating season		Average
Ref. Piping Size (Liquid/Gas)	Ø mm	6.35 (1/4") / 12.7 (1/2")
Ref. Max Piping Length	m	Max. 30
Vertical Height differences / Outdoor is higher/lower	m	Max. 20 / Max. 20

Schematics

Symbol	Content	
A	Service valve connection (gas side)	φ12.7 (1/2") (Flare)
B	Service valve connection (liquid side)	φ6.35 (1/4") (Flare)
C	Pipe/cable draw-out hole	
D	Drain discharge hole	φ20x5places
E	Anchor bolt hole	



Minimum installation space

Dimensions	Examples of Installation			
	I	II	III	IV
L1	Open	280	280	180
L2	100	75	Open	Open
L3	100	80	80	80
L4	250	Open	250	Open

