

FDTC35VF  
**Ceiling cassette - Indoor Unit**

Ceiling cassette RAC indoor unit with a nominal cooling capacity of 3.5 kW.

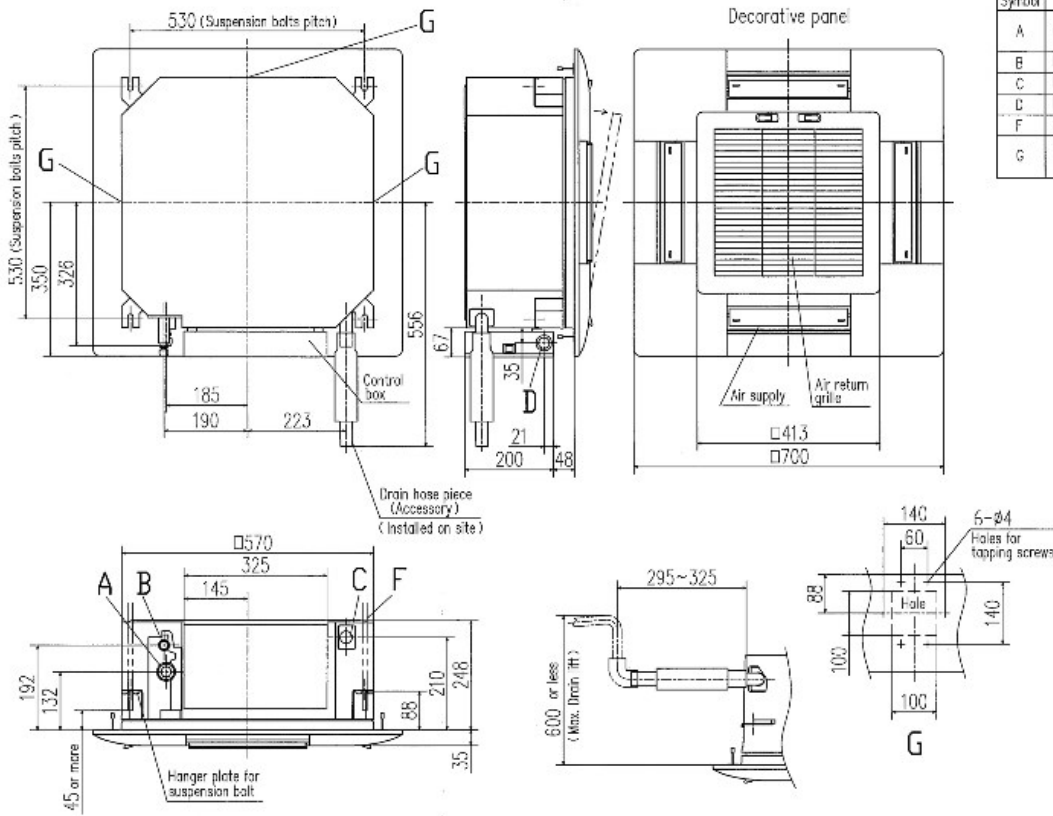


**Technical Specifications**

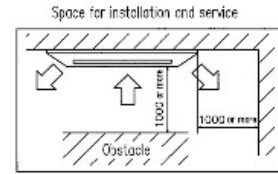
**General Data**

Nominal cooling capacity	kW	3.5
Nominal heating capacity	kW	4.5
Exterior Dimensions ( H x W x D)	mm	Unit: 248 x 570 x 570 Panel: 35 x 700 x 700
Net Weight	kg	18.5 (Unit: 15 Panel: 3.5)
Air Flow Cooling (Hi/Me/Lo)	m3/min	11 / 9.5 / 9 / 7
Air Flow Heating (Hi/Me/Lo)	m3/min	11.5 / 10 / 9 / 8
Sound Pressure Level Cooling (Hi/Me/Lo)	dB(A)	41 / 40 / 36 / 30
Sound Pressure Level Heating (Hi/Me/Lo)	dB(A)	43 / 42 / 35 / 32

Schematics



Symbol	Content:	
A	Gas piping	Model: 25,35 : $\phi 9.52$ (3/8") (Flare) 40-60 : $\phi 12.7$ (1/2") (Flare)
B	Liquid piping	$\phi 6.35$ (1/4") (Flare)
C	Drain piping	VP20 (I.D. 20, O.D. 26) Note (2)
D	Hole for wiring	$\phi 25$
F	Suspension bolts	(M10 or M8)
G	Air outlet opening for ducting	(Knock out)



Make a space of 400 or more between the units when installing more than one.