

FDT71VF1 x2

Ceiling Cassette - Indoor Unit

Ceiling cassette PAC indoor unit with a nominal cooling capacity of 7.1 kW.

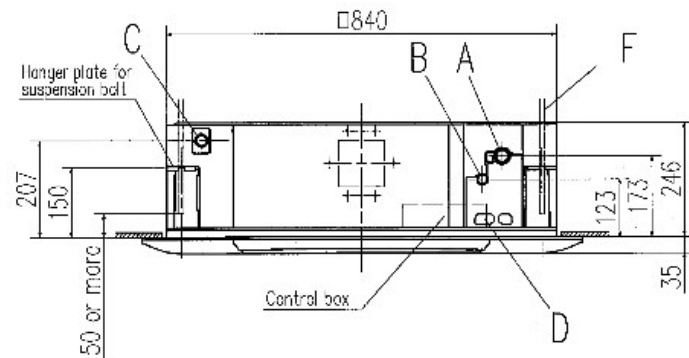
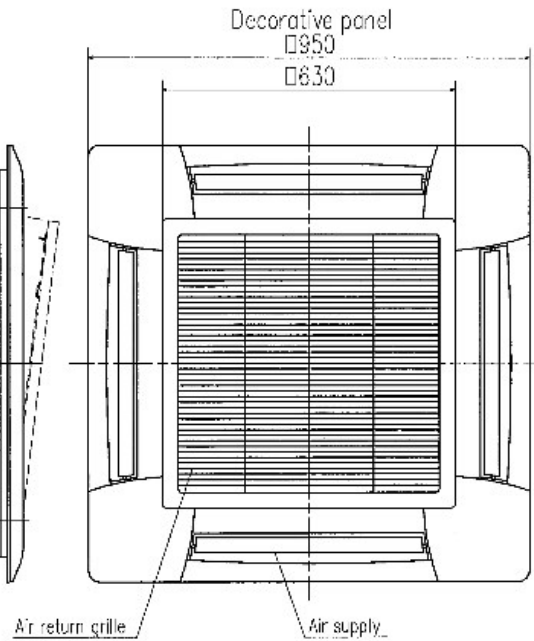
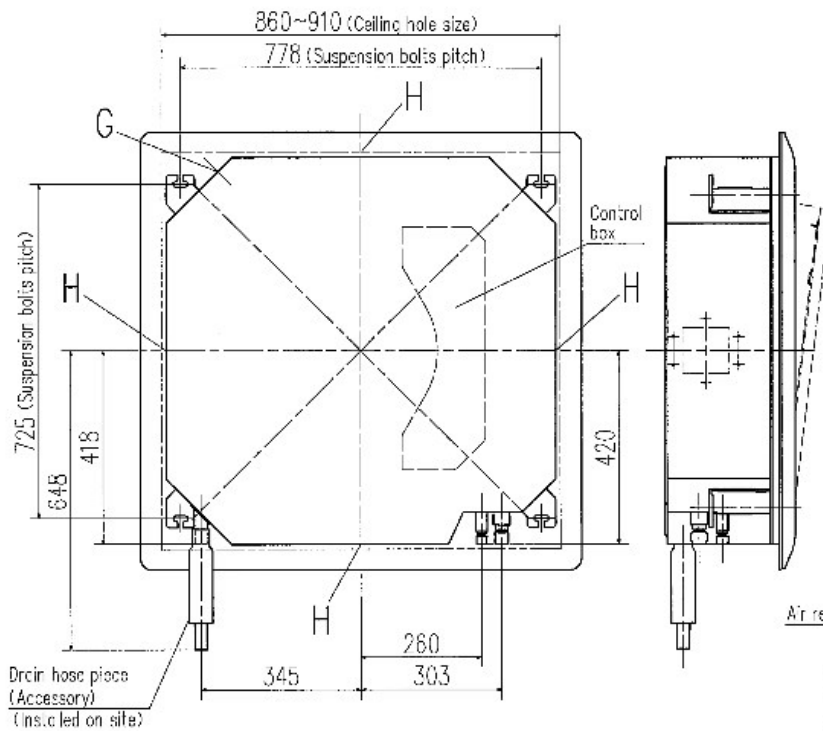


Technical Specifications

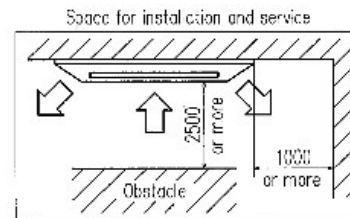
General Data

Nominal cooling capacity (min-max)	kW	14.0 (5.0 - 14.5)
Nominal heating capacity (min-max)	kW	16.0 (4.0 - 16.5)
Exterior Dimensions (H x W x D)	mm	Unit: 246 x 840 x 840; Panel: 35 x 950 x 950
Net Weight	kg	29.5 (Unit: 24; Panel: 5.5)
Air Flow Cooling (Hi/Me/Lo)	m3/min	28/ 21 / 19 / 17
Air Flow Heating (Hi/Me/Lo)	m3/min	28/ 21 / 19 / 17
Sound Pressure Level Cooling (Hi/Me/Lo)	dB(A)	46/ 35 / 33 / 31
Sound Pressure Level Heating (Hi/Me/Lo)	dB(A)	46/ 35 / 33 / 31

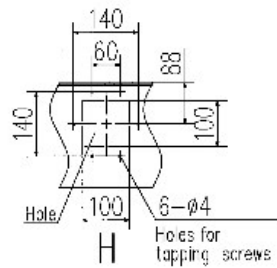
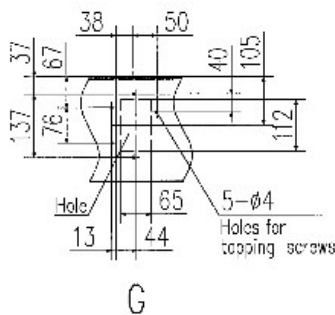
Schematics



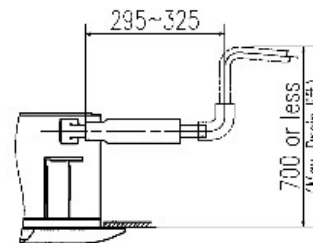
Symbol	Content		
	Model	FDT40VF,50VF,62VF	FDT71VF
A	Gas piping	φ12.7 (1/2") (Flare)	φ15.88 (5/8") (Flare)
B	Liquid piping	φ6.35 (1/4") (Flare)	φ8.52 (3/8") (Flare)
C	Drain piping	VF25 (0.1, 32)	
D	Hole for wiring		
F	Suspension bolts	(M10 or M8)	
G	Outside air opening for ducting	(Knock out)	
H	Air outlet opening for ducting	(Knock out)	



Make a space of 1000 or more between the units when installing more than one.



Notes: The model name label is attached inside the air return grille.



FDC140VN

Ceiling Cassette - Outdoor Unit

PAC outdoor unit with a nominal cooling capacity of 14.0 kW.

**Technical Specifications****General Data**

Nominal cooling capacity (min-max)	kW	14.0 (5.0 - 14.5)
Nominal heating capacity (min-max)	kW	16.0 (4.0 - 16.5)
EER (Energy Label)		3.1
COP (Energy Label)		3.49
Exterior Dimensions (H x W x D)	mm	845 x 970 x 370
Net Weight	kg	81
Sound Pressure Level (Cooling/Heating)	dB(A)	51 / 51

Electrical Data

Power Source		1 Phase 220-240V 50Hz, 1 Phase 220V 60Hz
Inrush current (220/230/240v)	A	5
Max. running current	A	24
Power consumption (cooling/heating)	kW	4.51 / 4.58

Installation

Ref. Piping Size (Liquid/Gas)	Ø mm	9.52 (3/8") / 15.88 (5/8")
Ref. Max Piping Length	m	Max. 50
Vertical Height differences / Outdoor is higher/lower	m	Max. 30 / Max. 15

Schematics

