

FDE71VG x3

Ceiling Suspended - Indoor Unit

Ceiling suspended PAC indoor unit with a nominal cooling capacity of 7.1 kW.

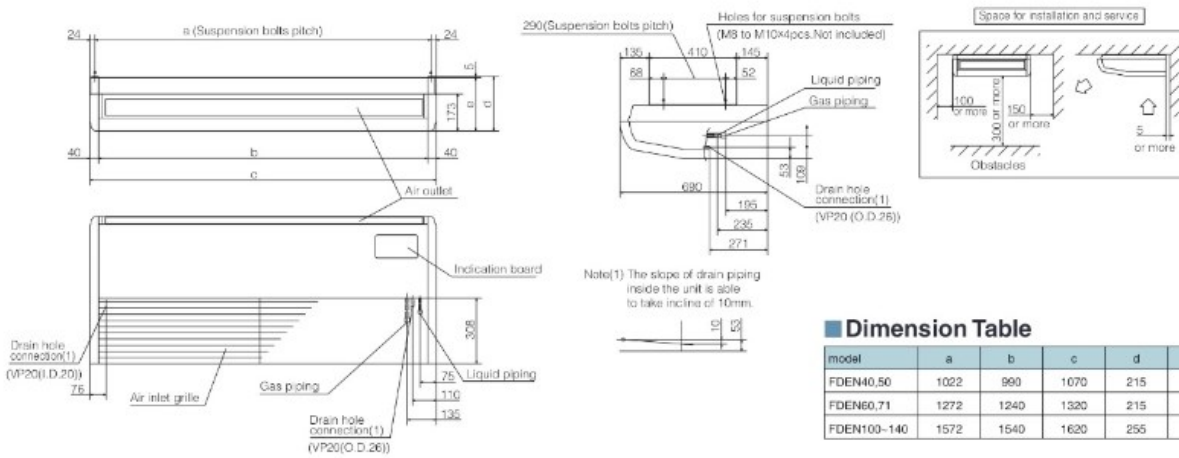


Technical Specifications

General Data

Nominal cooling capacity (min-max)	kW	19.0 (5.2- 22.4)
Nominal heating capacity (min-max)	kW	22.4 (3.3- 25.0)
Exterior Dimensions (H x W x D)	mm	210 x 1320 x 690
Net Weight	kg	33
Air Flow Cooling (Hi/Me/Lo)	m3/min	20/ 16 / 13/ 10
Air Flow Heating (Hi/Me/Lo)	m3/min	20/ 16 / 13/ 10
Sound Pressure Level Cooling (Hi/Me/Lo)	dB(A)	47/ 41 / 37 / 32
Sound Pressure Level Heating (Hi/Me/Lo)	dB(A)	47/ 41 / 37 / 32

Schematics



Dimension Table

model	a	b	c	d	e
FDEN40,50	1022	990	1070	215	210
FDEN60,71	1272	1240	1320	215	210
FDEN100-140	1572	1540	1620	255	250

FDC200VSA

Ceiling Suspended - Outdoor Unit

PAC outdoor unit with a nominal cooling capacity of 20.0 kW.



Technical Specifications

General Data

Nominal cooling capacity (min-max)	kW	19.0 (5.2- 22.4)
Nominal heating capacity (min-max)	kW	22.4 (3.3- 25.0)
EER (Energy Label)		3.00
COP (Energy Label)		3.77
Exterior Dimensions (H x W x D)	mm	1300 x 970 x 370
Net Weight	kg	115
Sound Pressure Level (Cooling/Heating)	dB(A)	58 / 59

Electrical Data

Power Source		3 Phase 380-415V, 50Hz, 3 Phase 380V 60Hz
Inrush current (220/230/240v)	A	5
Max. running current	A	19
Power consumption (cooling/heating)	kW	6.33 / 5.94

Installation

Ref. Piping Size (Liquid/Gas)	Ø mm	9.52 (3/8") / 22.22 (7/8")
Ref. Max Piping Length	m	Max. 70
Vertical Height differences / Outdoor is higher/lower	m	Max. 30 / Max. 15

Schematics

