

FDE71VG x2

**Ceiling Suspended - Indoor Unit**

Ceiling suspended PAC indoor unit with a nominal cooling capacity of 7.1 kW.

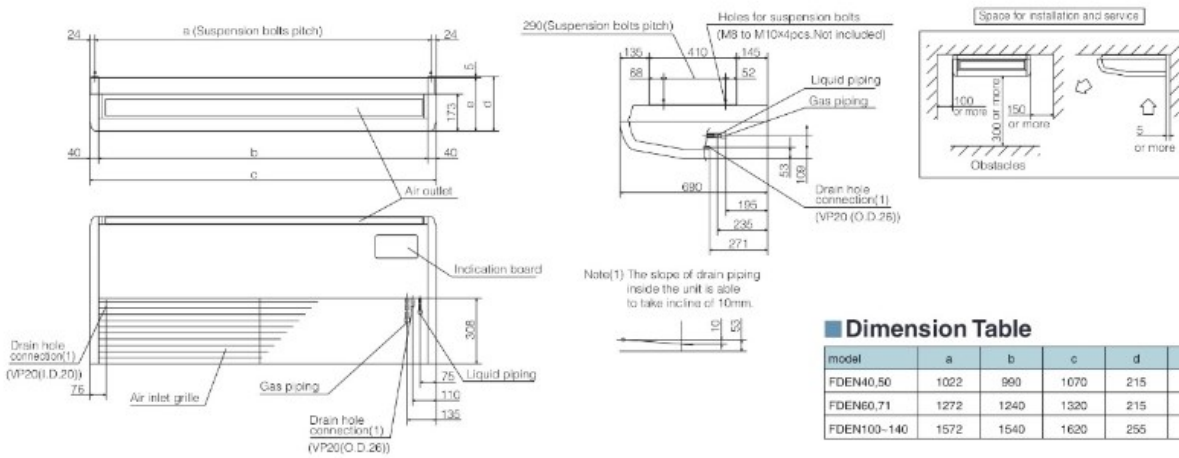


**Technical Specifications**

**General Data**

Nominal cooling capacity (min-max)	kW	14.0 (5.0 - 16.0)
Nominal heating capacity (min-max)	kW	16.0 (4.0 - 20.0)
Exterior Dimensions ( H x W x D)	mm	210 x 1320 x 690
Net Weight	kg	33
Air Flow Cooling (Hi/Me/Lo)	m3/min	20/ 16 / 13/ 10
Air Flow Heating (Hi/Me/Lo)	m3/min	20/ 16 / 13/ 10
Sound Pressure Level Cooling (Hi/Me/Lo)	dB(A)	47/ 41 / 37 / 32
Sound Pressure Level Heating (Hi/Me/Lo)	dB(A)	47/ 41 / 37 / 32

**Schematics**



**Dimension Table**

model	a	b	c	d	e
FDEN40,50	1022	990	1070	215	210
FDEN60,71	1272	1240	1320	215	210
FDEN100-140	1572	1540	1620	255	250

FDC140VSX

**Ceiling Suspended - Outdoor Unit**

PAC outdoor unit with a nominal cooling capacity of 14.0 kW.

**Technical Specifications****General Data**

Nominal cooling capacity (min-max)	kW	14.0 (5.0 - 16.0)
Nominal heating capacity (min-max)	kW	16.0 (4.0 - 20.0)
EER (Energy Label)		3.00
COP (Energy Label)		3.49
Exterior Dimensions (H x W x D)	mm	1300 x 970 x 370
Net Weight	kg	105
Sound Pressure Level (Cooling/Heating)	dB(A)	49 / 52

**Electrical Data**

Power Source		3 Phase 380-415V, 50Hz, 3 Phase 380V 60Hz
Inrush current (220/230/240v)	A	5
Max. running current	A	15
Power consumption (cooling/heating)	kW	4.67 / 4.58

**Installation**

Refrigerant (GWP)		R410A (2088)
Designated heating season		Average
Ref. Piping Size (Liquid/Gas)	Ø mm	9.52 (3/8") / 15.88 (5/8")
Ref. Max Piping Length	m	Max. 100
Vertical Height differences / Outdoor is higher/lower	m	Max. 30 / Max. 15

Schematics

